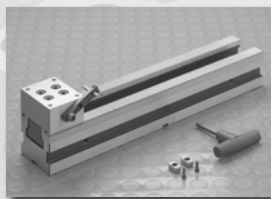


Multiple clamping system



CIVI 2000 base set
pag. 6. 3



CIVI 2000 movable jaw set
pag. 6. 4



Movable set with double jaws
pag. 6. 5



Movable jaw set with aluminium jaws
pag. 6. 5



CIVI 2000 accessories
pag. 6. 7



VCS CIVI 2000
pag. 6. 9



Column CIVI 2000
pag. 6. 12



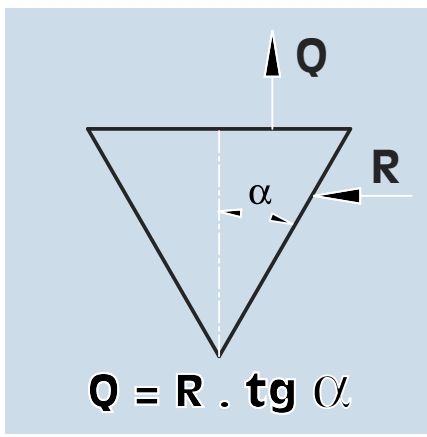
CIVI 2000 spare parts
pag. 6 . 13



TETRABLOK, 4 positions clamping equipment
pag. 6. 16

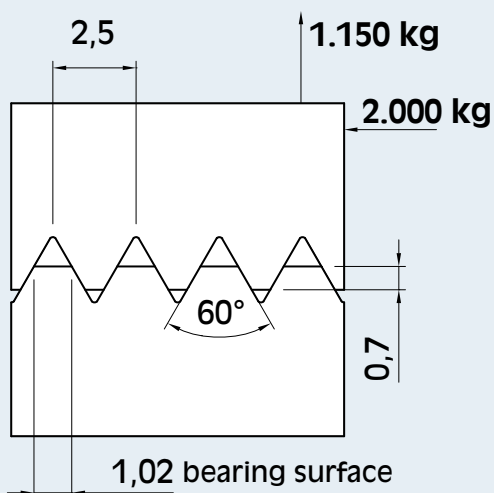
SERRATION COMPARISON CIVI 2000-TETRABLOK AND COMPETITION (wedge with normal reaction to the axis without friction)

OML

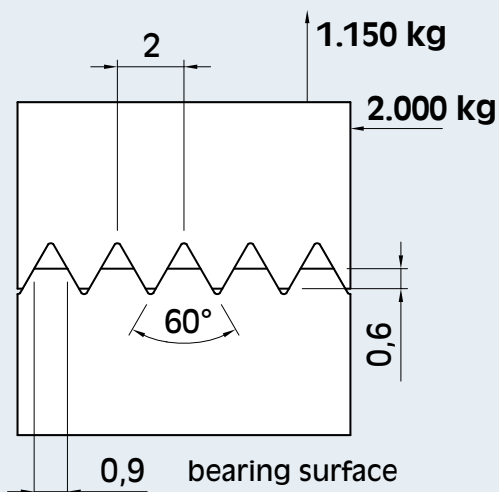


COMPETITION

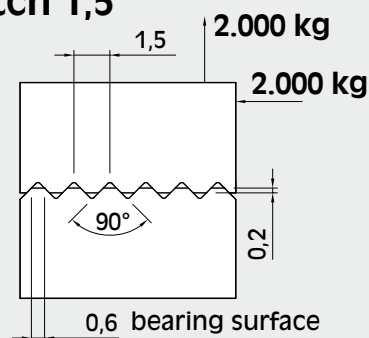
CIVI 2000 pitch 2,5



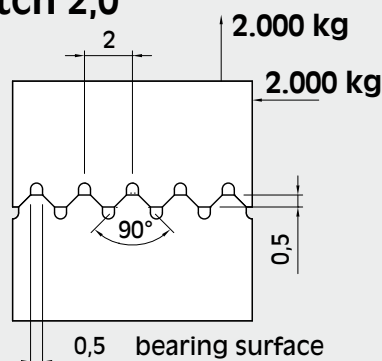
TETRABLOK pitch 2,0



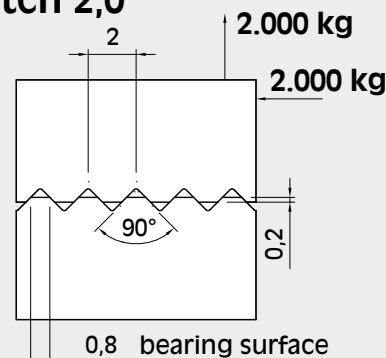
pitch 1,5



pitch 2,0



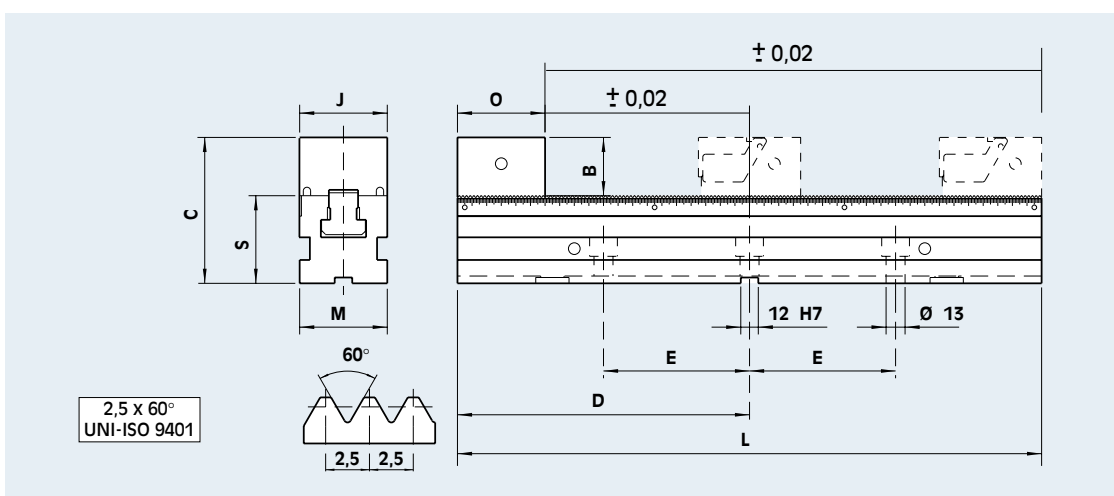
pitch 2,0



CIVI 2000 is a new interesting modular Multi-Clamping system that reduces downtime and maximizes machine tool productivity

Complete base set with:

1 base (length optional), 1 fixed support, 1 pair of positioning keys, 1 t-wrench



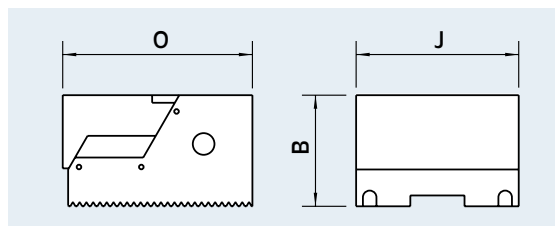
Cod.	for type	B mm	C mm	D mm	E mm	J mm	L mm	M mm	O mm	S ^{±0,01} mm	Weight kg
77 58 40 04	CIVI 2000/38 x 250	40	100	125	100	38	250	60	60	60	6
77 58 40 01	CIVI 2000/38 x 400			200	100		400				9
77 58 40 02	CIVI 2000/38 x 500			250	150		500				11
77 58 40 03	CIVI 2000/38 x 630			315	200		630				13
77 58 41 04	CIVI 2000/60 x 250	40	100	125	100	60	250	60	60	60	6,5
77 58 41 01	CIVI 2000/60 x 400			200	100		400				9,5
77 58 41 02	CIVI 2000/60 x 500			250	150		500				11,5
77 58 41 03	CIVI 2000/60 x 630			315	200		630				13,5
77 58 42 04	CIVI 2000/90 x 250	45	115	125	100	90	250	90	70	70	11
77 58 42 01	CIVI 2000/90 x 400			200	100		400				16
77 58 42 02	CIVI 2000/90 x 500			250	150		500				19,5
77 58 42 03	CIVI 2000/90 x 630			315	200		630				23,5

CIVI 2000



Movable jaw set J60-J90 smooth complete with:

1 movable slide-way,
1 work stop

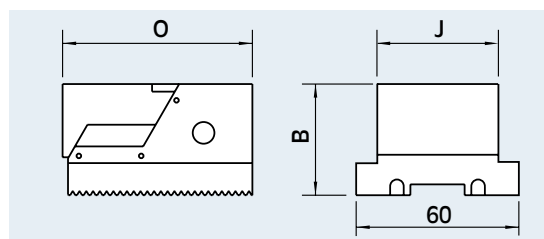


Cod.	for type	B mm	J mm	O mm	Weight kg
77 58 41 23	CIVI 2000/60 x ...	40	60	70	1,4
77 58 42 23	CIVI 2000/90 x ...	45	90	80	2,9



Movable jaw set J38 smooth complete with:

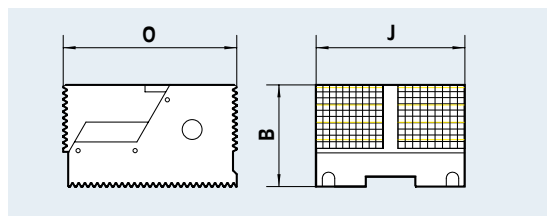
1 movable slide-way,
1 work stop



Cod.	for type	B mm	J mm	O mm	Weight kg
77 58 40 23	CIVI 2000/38 x ...	40	38	70	1



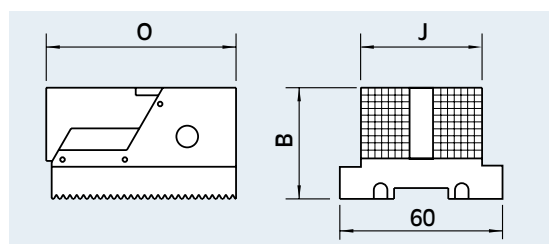
Movable jaw set J60-J90 with grooved jaws (for raw workpieces)



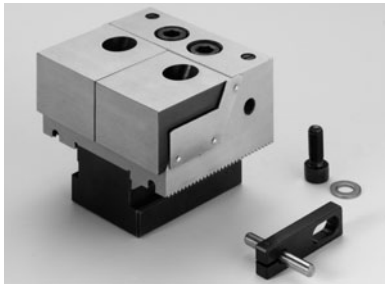
Cod.	for type	B mm	J mm	O mm	Weight kg
77 58 41 28	CIVI 2000/60	40	60	70	1.4
77 58 42 28	CIVI 2000/90	45	90	80	2.9



Movable jaw set J38 with grooved jaws (for raw workpieces)

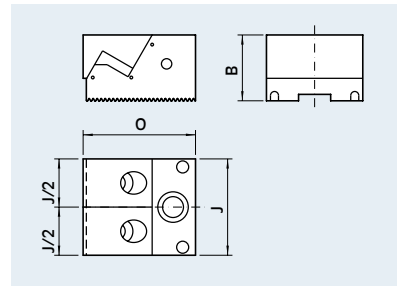
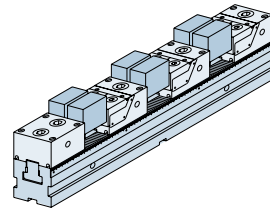


Cod.	for type	B mm	J mm	O mm	Weight kg
77 58 40 28	CIVI 2000/38 x ...	40	38	70	1

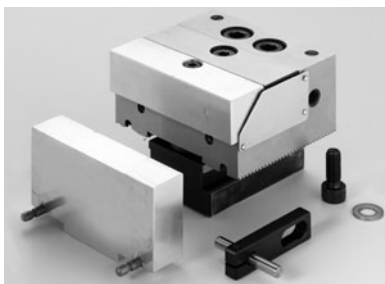


Movable set with double jaws

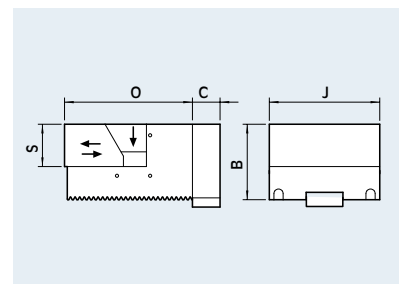
Working example



Cod.	for type	B mm	J mm	O mm	Weight kg
77 58 41 24	CIVI 2000/60 x ...	40	60	70	1,5
77 58 42 24	CIVI 2000/90 x ...	45	90	80	3



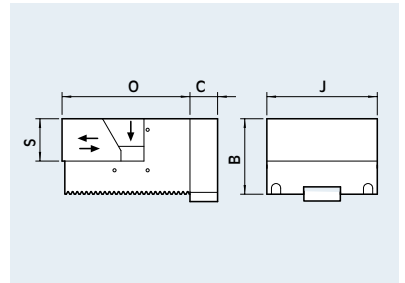
Movable jaw set with aluminium jaws



Cod.	for type	B mm	C mm	J mm	O mm	S mm	Weight kg
77 58 41 25	CIVI 2000/60 x ...	40	15	60	69,5	23	1,2
77 58 42 25	CIVI 2000/90 x ...	45	20	90	80	25	2,7



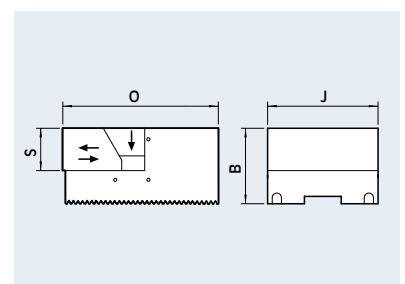
Movable jaw set with steel soft jaws



Cod.	for type	B mm	C mm	J mm	O mm	S mm	Weight kg
77 58 41 26	CIVI 2000/60 x ...	40	15	60	69,5	23	1,4
77 58 42 26	CIVI 2000/90 x ...	45	20	90	80	25	3

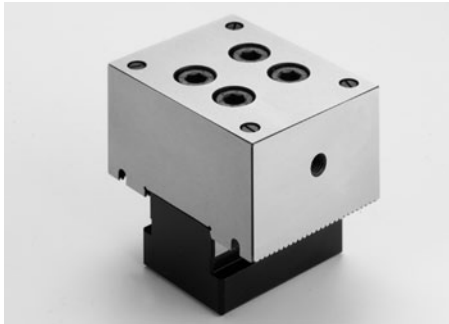


Movable jaw set with steel hardened jaw

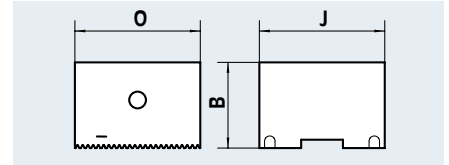


Cod.	for type	B mm	J mm	O mm	S mm	Weight kg
77 58 41 27	CIVI 2000/60	40	60	69,5	23	1,4
77 58 42 27	CIVI 2000/90	45	90	80	25	3

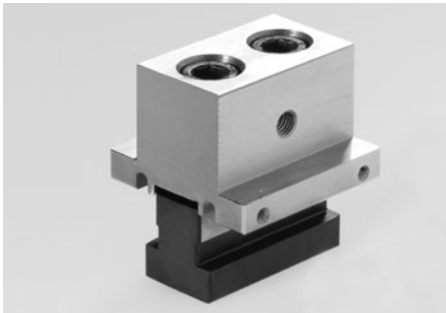
CIVI 2000



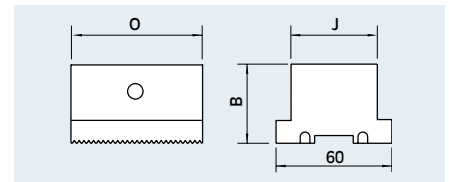
Fixed support with fixed slide way J60-J90



Cod.	for type	B mm	J mm	O mm	Weight kg
58 41 72 00	CIVI 2000/60	40	60	60	1,4
58 42 72 00	CIVI 2000/90	45	90	70	2,9



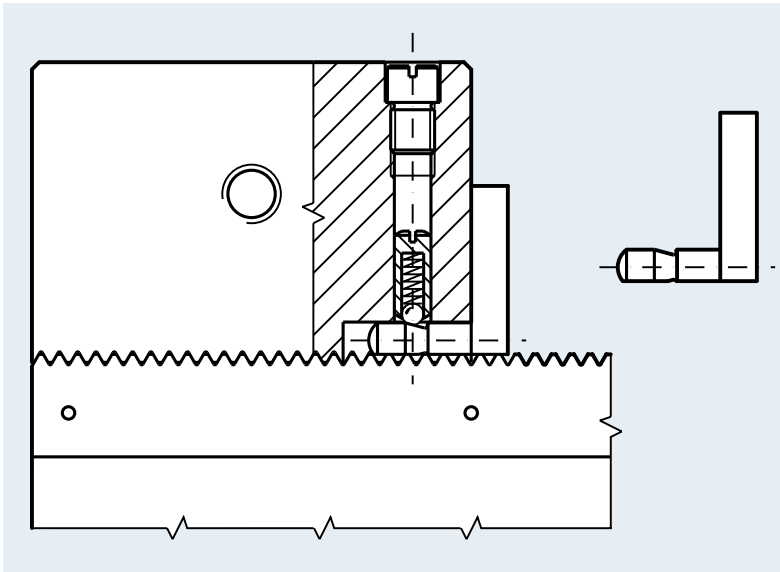
Fixed support with fixed slide way J38



Cod.	for type	B mm	J mm	O mm	Weight kg
58 40 72 00	CIVI 2000/38	40	38	60	0,87

CLAK-SYSTEM

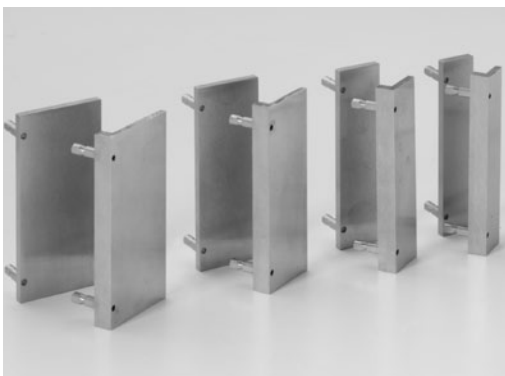
parallels for CIVI 2000



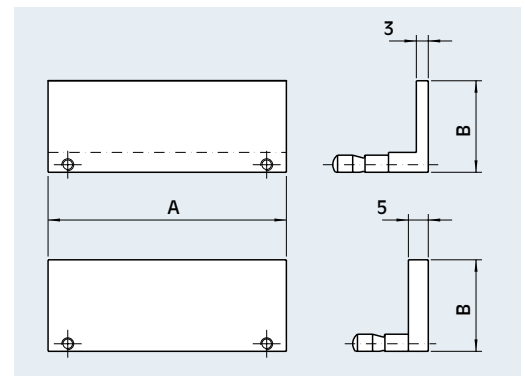
The exclusive and proven CLAK SYSTEM, for the quick replacement of parallels and jaws has been applied for use with the CIVI 2000 equipment with a new patent. This equipment offers:

- a) The quick replacement of parallels and jaws
- b) The elimination of clamps and locks thanks to the patented selflocking system
- c) The increase in accuracy

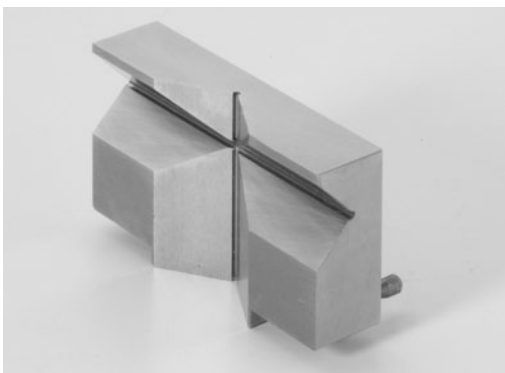
All components are heat treated and precision ground.



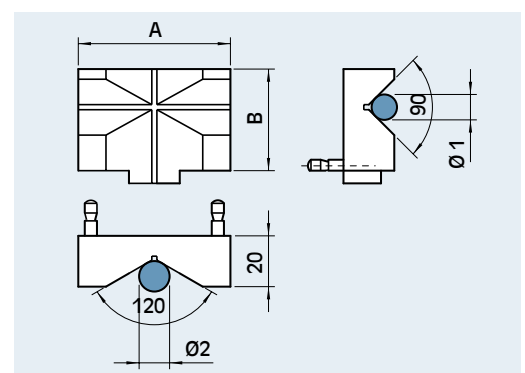
Set of 4 pair of parallels "Clak System"



Cod.	for type	A		B			Weight kg
		mm		mm			
58 40 92 04	CIVI 2000/38 x ...	38	18	23	28	37	0,4
58 41 92 04	CIVI 2000/60 x ...	60	18	23	28	37	0,49
58 42 92 04	CIVI 2000/90 x ...	90	18	23	33	42	0,77

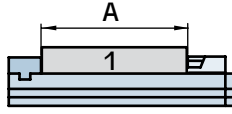
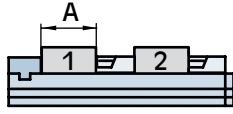
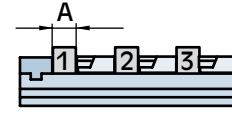
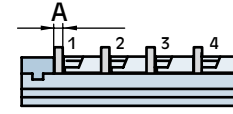


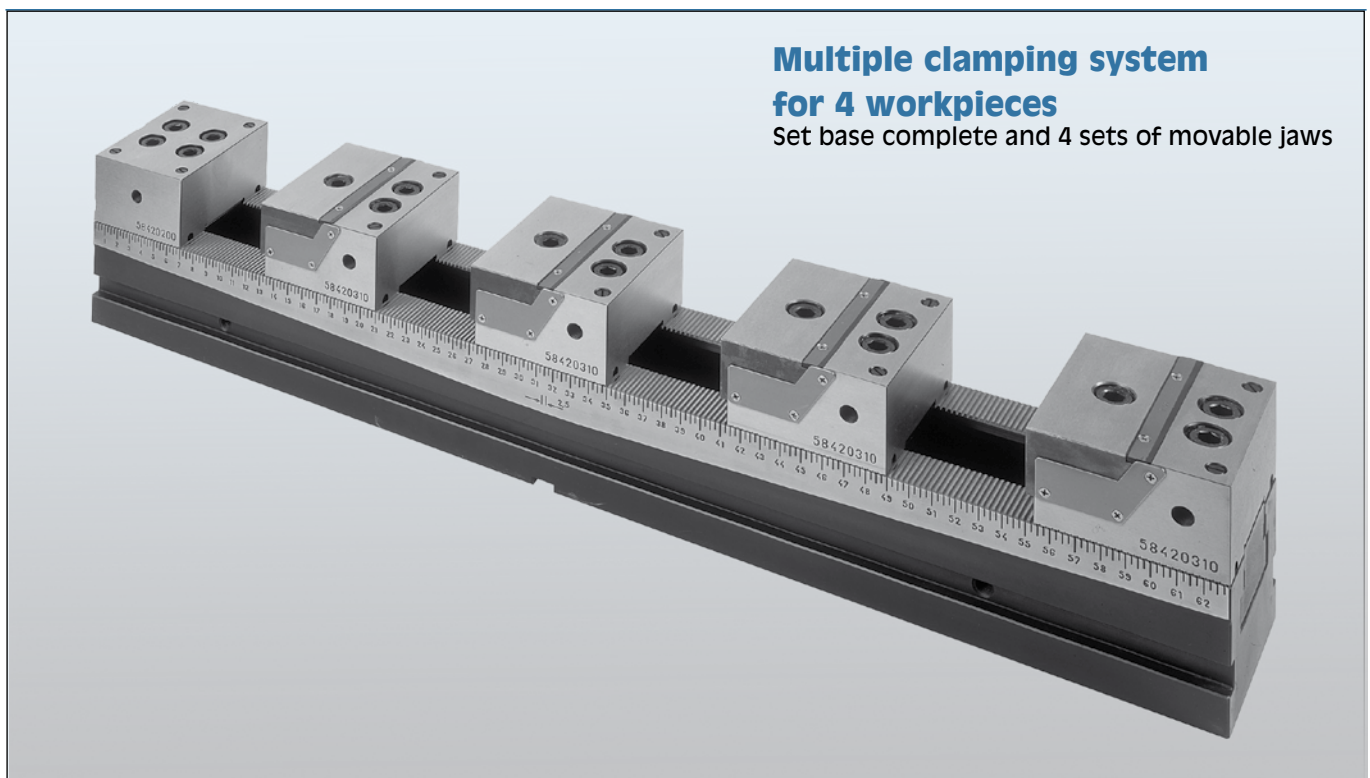
V jaw "Clak System"



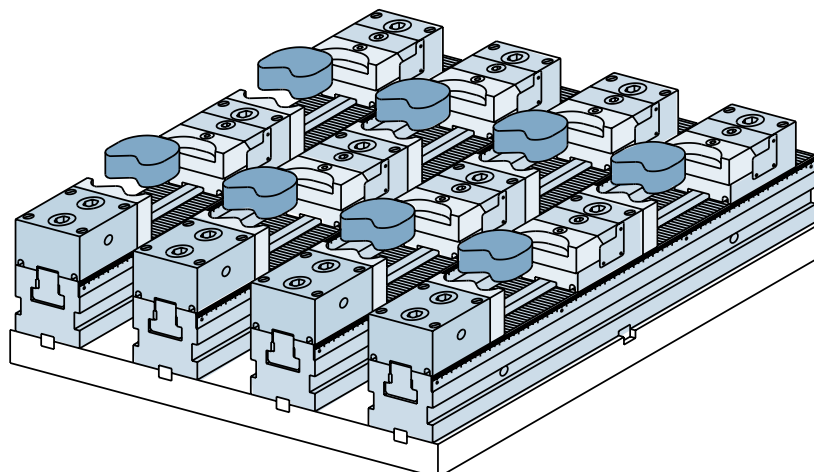
Cod.	for type	A mm	B mm	Ø 1		Ø 2	
				MIN mm	MAX mm	MIN mm	MAX mm
58 40 94 00	CIVI 2000/38 x ...	38	40	10	24	9	45
58 41 94 00	CIVI 2000/60 x ...	60	40	10	28	11	70
58 42 94 00	CIVI 2000/90 x ...	90	45	10	28	11	70

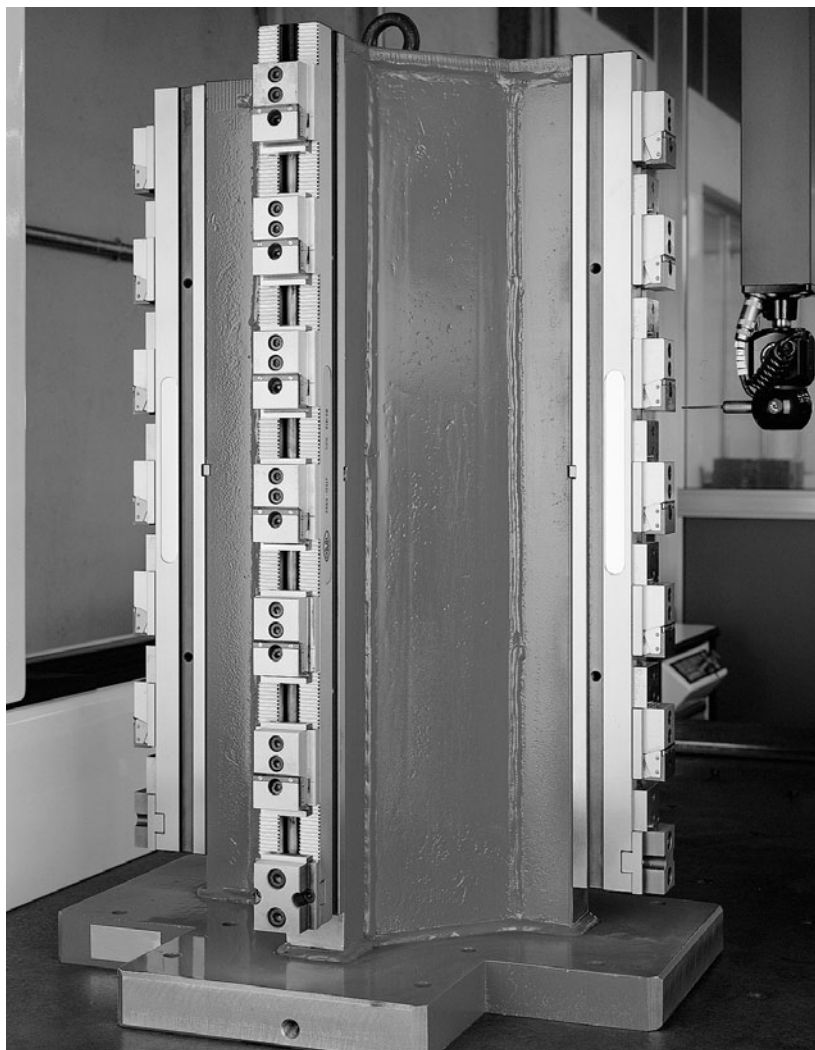
Clamping capacity

				
	A max mm			
CIVI2000/38/60-250	120	25	-	-
CIVI2000/38/60-400	270	100	43	15
CIVI2000/38/60-500	370	150	76	40
CIVI2000/38/60-630	500	215	120	73
CIVI 2000/90-250	99	-	-	-
CIVI 2000/90-400	249	84	29	-
CIVI 2000/90-500	349	134	62	26
CIVI 2000/90-630	479	199	106	59



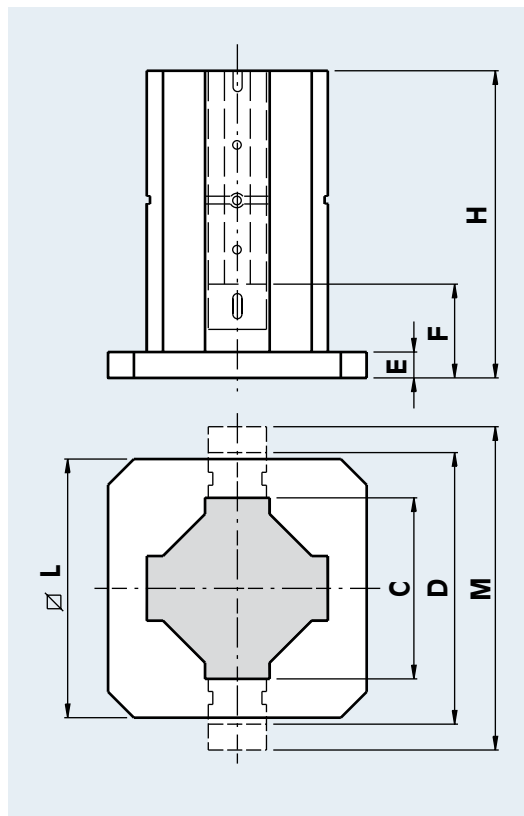
Example of assembling with soft jaws





V.C.S. CIVI 2000/4

Illustration shows one possible configuration.



STEEL

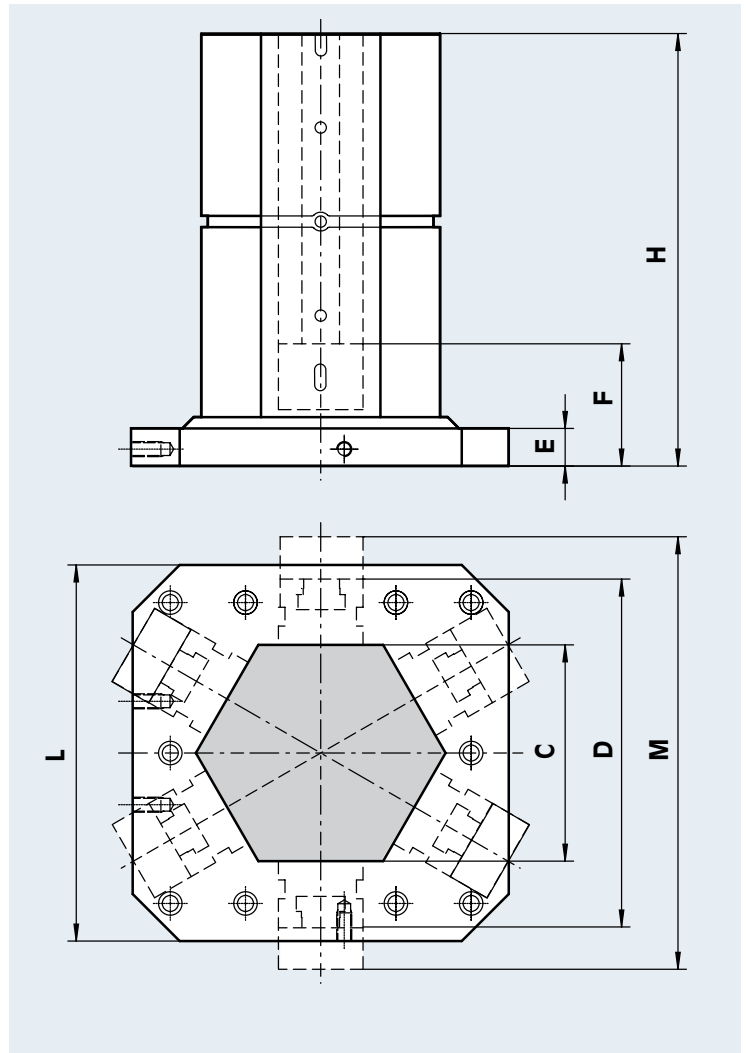
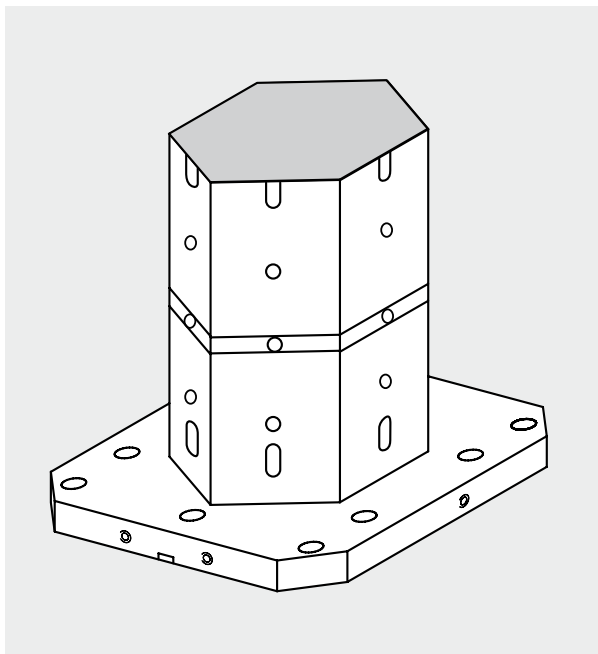
Cod.	for type	C mm	D mm	E mm	F mm	H mm	L mm	M mm	Weight kg
58 41 80 11	CIVI 2000/38/60-400	250	370	40	120	460	400	450	110
58 41 80 21	CIVI 2000/38/60-500	250	370	40	120	560	400	450	123
58 41 80 22	CIVI 2000/38/60-500	300	420	40	120	560	500	500	165
58 41 80 31	CIVI 2000/38/60-630	250	370	40	120	690	400	450	142
58 41 80 32	CIVI 2000/38/60-630	300	420	40	120	690	500	500	187
58 41 80 33	CIVI 2000/38/60-630	380	500	40	120	690	630	580	261
58 42 80 11	CIVI 2000/90-400	250	390	40	130	460	400	480	110
58 42 80 21	CIVI 2000/90-500	250	390	40	130	560	400	480	123
58 42 80 22	CIVI 2000/90-500	300	440	40	130	560	500	530	165
58 42 80 31	CIVI 2000/90-630	250	390	40	130	690	400	480	142
58 42 80 32	CIVI 2000/90-630	300	440	40	130	690	500	530	187
58 42 80 33	CIVI 2000/90-630	380	520	40	130	690	630	610	261

* Weight only for V.C.S. without CIVI

ALUMINIUM

Cod.	for type	C mm	D mm	E mm	F mm	H mm	L mm	M mm	Weight kg
58 42 79 31	CIVI 2000/38/60-630	250	370	40	120	690	400	450	66
58 42 79 32	CIVI 2000/38/60-630	250	370	40	120	690	400	450	76
58 42 79 33	CIVI 2000/38/60-630	250	500	40	120	690	630	580	122
58 42 79 31	CIVI 2000/90-630	250	390	40	130	690	400	480	66
58 42 79 32	CIVI 2000/90-630	250	390	40	130	690	500	480	76
58 42 79 33	CIVI 2000/90-630	250	520	40	130	690	630	610	122

* Weight only for V.C.S. without CIVI

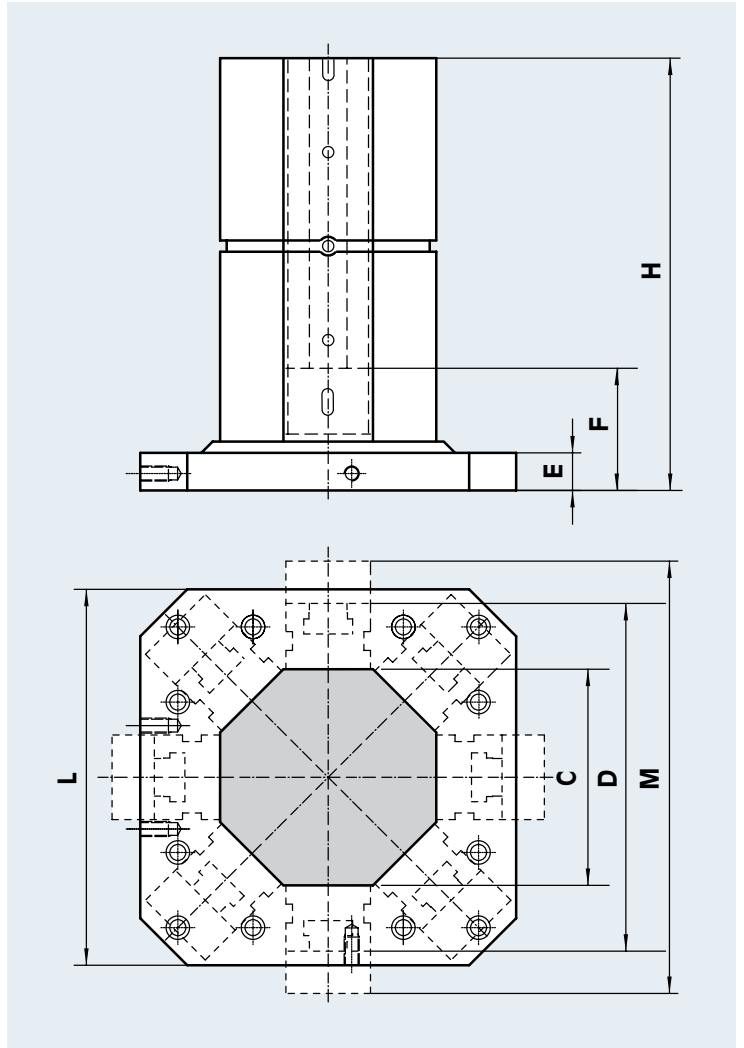
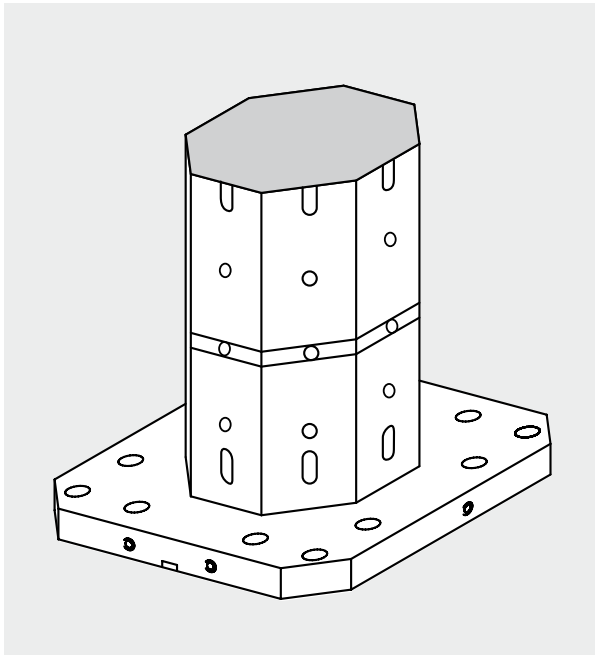


STEEL

Cod.	for type	C mm	D mm	E mm	F mm	H mm	L mm	M mm	Weight kg
58 42 85 11	CIVI 2000/38/60-400	250	370	40	120	460	400	450	119
58 42 85 21	CIVI 2000/38/60-500	250	370	40	120	560	400	450	138
58 42 85 22	CIVI 2000/38/60-500	250	370	40	120	560	500	450	165
58 42 85 31	CIVI 2000/38/60-630	250	370	40	120	690	400	450	160
58 42 85 32	CIVI 2000/38/60-630	250	370	40	120	690	500	450	188
58 42 85 33	CIVI 2000/38/60-630	380	500	40	120	690	630	580	308
58 42 85 11	CIVI 2000/90-400	250	390	40	130	460	400	480	119
58 42 85 21	CIVI 2000/90-500	250	390	40	130	560	400	480	138
58 42 85 22	CIVI 2000/90-500	250	390	40	130	560	500	480	165
58 42 85 31	CIVI 2000/90-630	250	390	40	130	690	400	480	160
58 42 85 32	CIVI 2000/90-630	250	390	40	130	690	500	480	188
58 42 85 33	CIVI 2000/90-630	380	520	40	130	690	630	610	308

ALUMINIUM

Cod.	for type	C mm	D mm	E mm	F mm	H mm	L mm	M mm	Weight kg
58 42 75 31	CIVI 2000/38/60-630	250	370	40	120	690	400	450	68
58 42 75 32	CIVI 2000/38/60-630	250	370	40	120	690	500	450	79
58 42 75 33	CIVI 2000/38/60-630	380	500	40	120	690	630	580	126
58 42 75 31	CIVI 2000/90-630	250	390	40	130	690	400	480	68
58 42 75 32	CIVI 2000/90-630	250	390	40	130	690	500	480	79
58 42 75 33	CIVI 2000/90-630	380	520	40	130	690	630	610	126

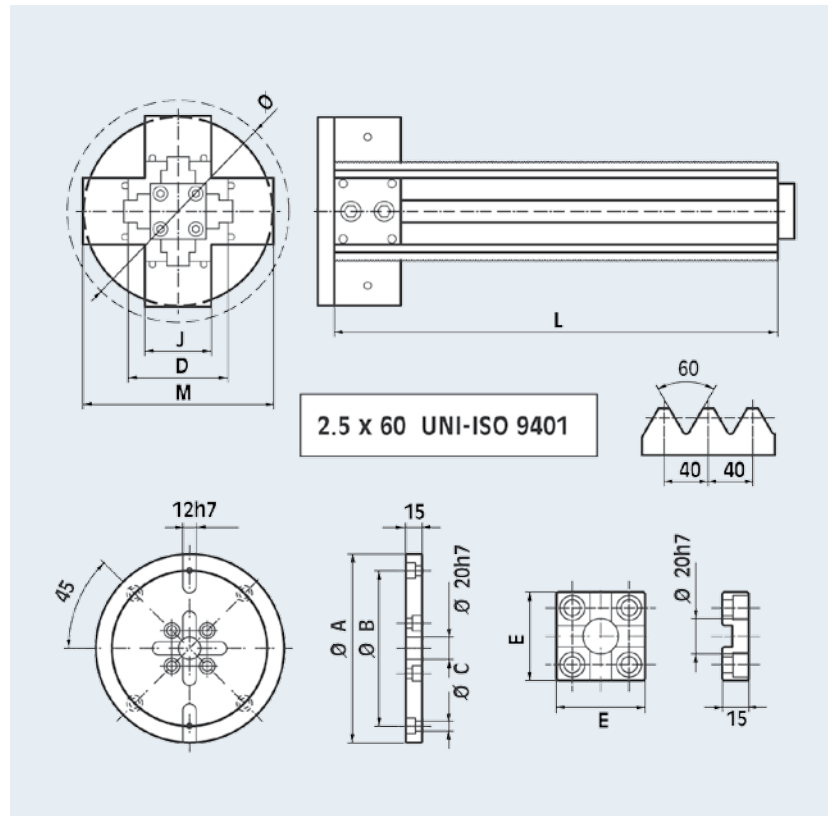
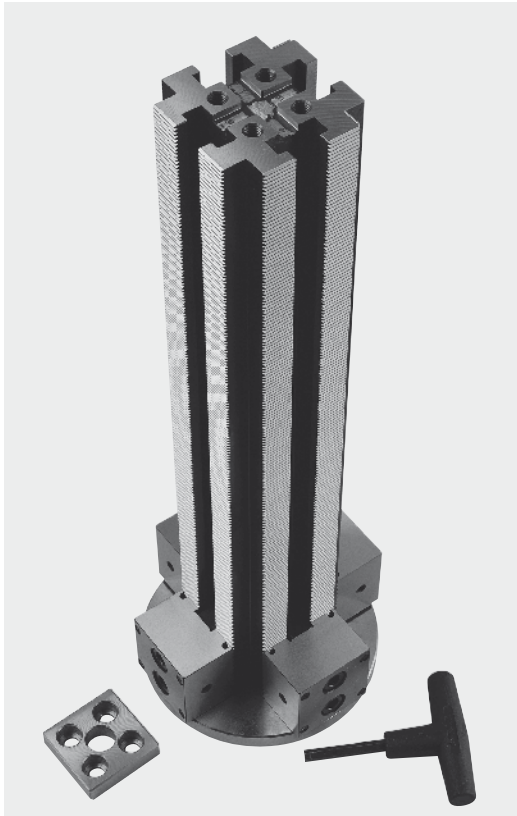


STEEL

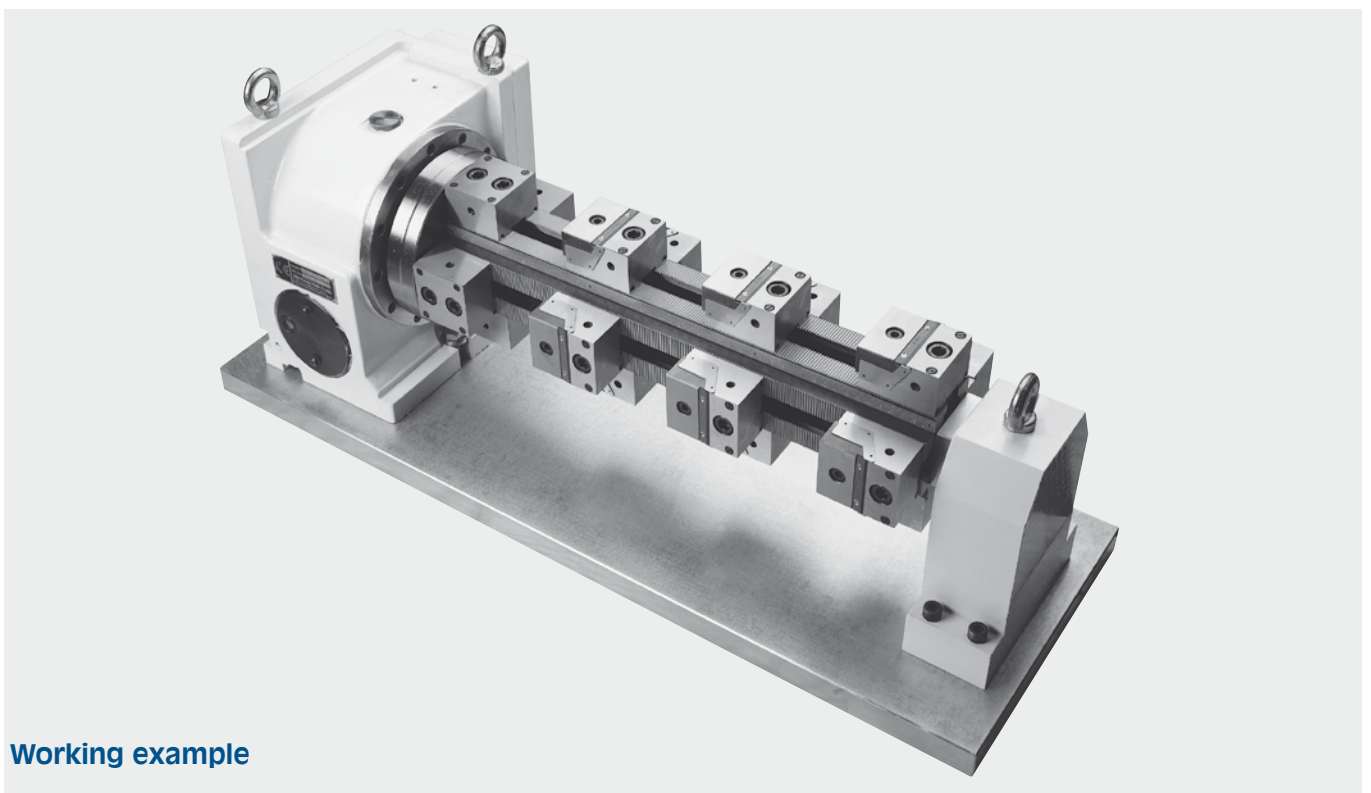
Cod.	for type	C mm	D mm	E mm	F mm	H mm	L mm	M mm	Weight kg
58 42 86 11	CIVI 2000/38/60-400	250	370	40	120	460	400	450	116
58 42 86 21	CIVI 2000/38/60-500	250	370	40	120	560	400	450	133
58 42 86 22	CIVI 2000/38/60-500	250	370	40	120	560	500	450	162
58 42 86 31	CIVI 2000/38/60-630	250	370	40	120	690	400	450	155
58 42 86 32	CIVI 2000/38/60-630	250	370	40	120	690	500	450	183
58 42 86 33	CIVI 2000/38/60-630	380	500	40	120	690	630	580	300
58 42 86 11	CIVI 2000/90-400	250	390	40	130	460	400	480	116
58 42 86 21	CIVI 2000/90-500	250	390	40	130	560	400	480	133
58 42 86 22	CIVI 2000/90-500	250	390	40	130	560	500	480	162
58 42 86 31	CIVI 2000/90-630	250	390	40	130	690	400	480	155
58 42 86 32	CIVI 2000/90-630	250	390	40	130	690	500	480	183
58 42 86 33	CIVI 2000/90-630	380	500	40	130	690	630	610	300

ALUMINIUM

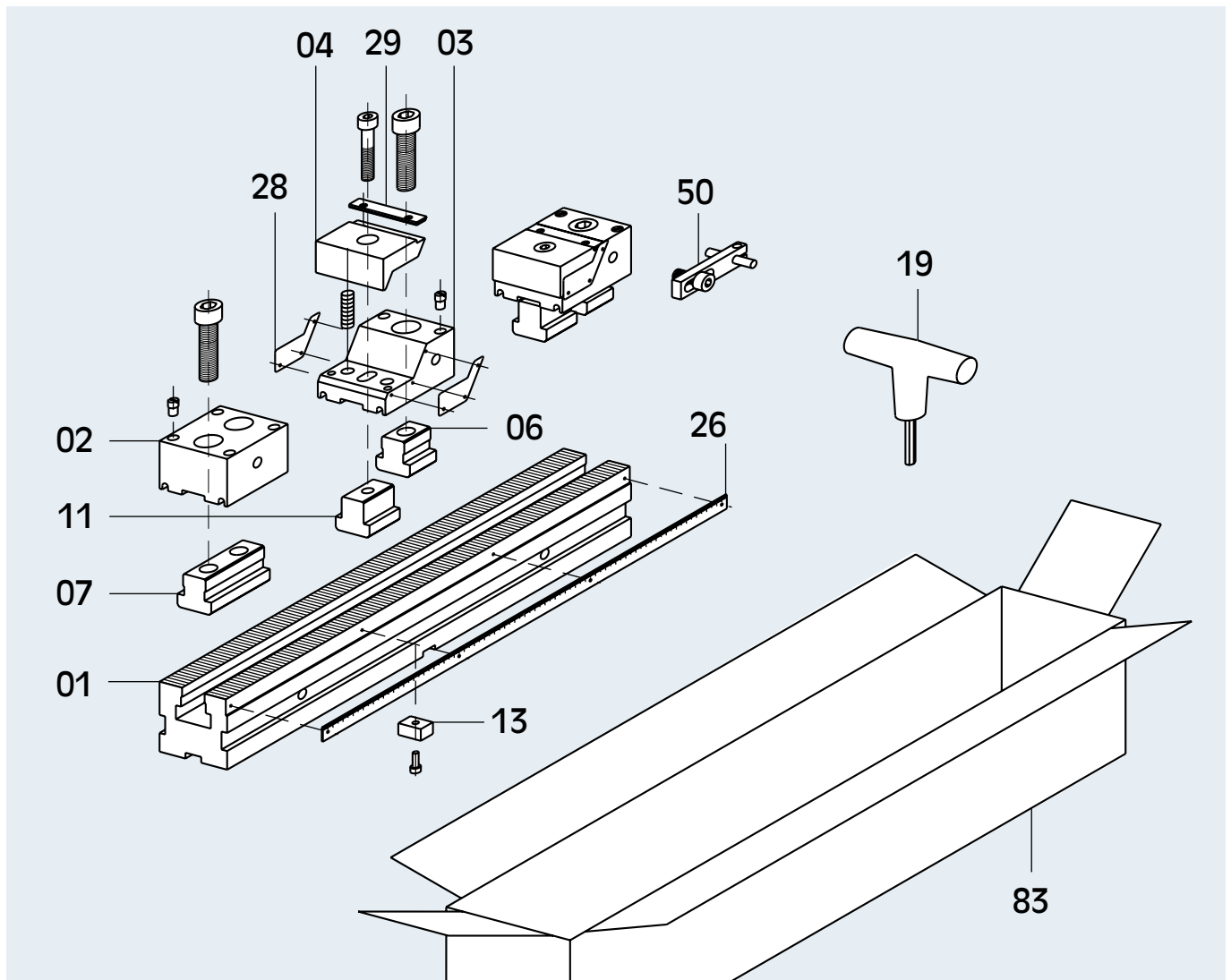
Cod.	for type	C mm	D mm	E mm	F mm	H mm	L mm	M mm	Weight kg
58 42 76 31	CIVI 2000/38/60-630	250	370	40	120	690	400	450	66
58 42 76 32	CIVI 2000/38/60-630	250	370	40	120	690	500	450	76
58 42 76 33	CIVI 2000/38/60-630	380	500	40	120	690	630	580	122
58 42 76 31	CIVI 2000/90-630	250	390	40	130	690	400	480	66
58 42 76 32	CIVI 2000/90-630	250	390	40	130	690	500	480	76
58 42 76 33	CIVI 2000/90-630	380	520	40	130	690	630	610	122



Cod.	for type	J mm	D mm	M mm	L mm	Ø rot. mm	Ø A mm	Ø B mm	Ø C mm	E mm	Weight kg
77 58 41 11	CIVI 2000/60-400				400						19
77 58 41 12	CIVI 2000/60-500	60	90	170	500	200	170	140	9	50	23
77 58 41 13	CIVI 2000/60-630				630						29
77 58 42 11	CIVI 2000/90-400				400						34
77 58 42 12	CIVI 2000/90-500	90	115	205	500	230	210	180	11	70	41
77 58 42 13	CIVI 2000/90-630				630						50



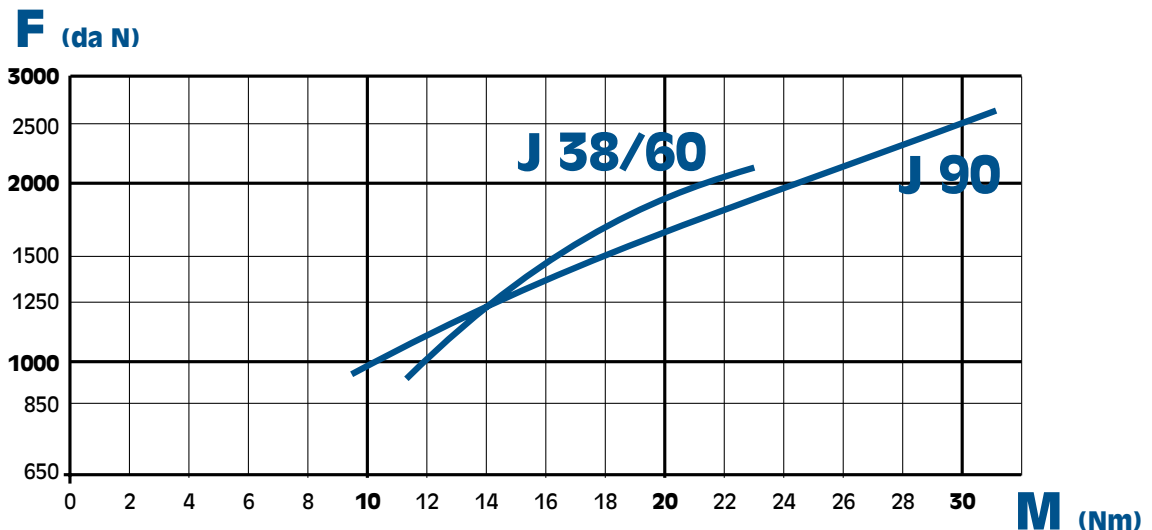
Working example

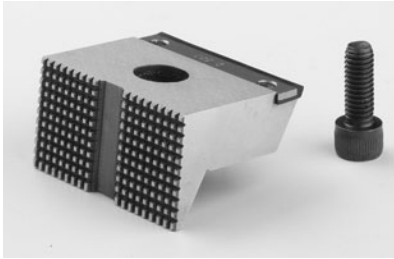


Description

01.....Base	07.....Nuts	28.....Casing for protection
02.....Fixed support	11.....Nuts	29.....Guard
03.....Movable support	13.....Positioning keys	50.....Work stop
04.....Jaw	19.....T-wrench	83.....Cardboard box
06.....Nuts	26.....Steel rule	

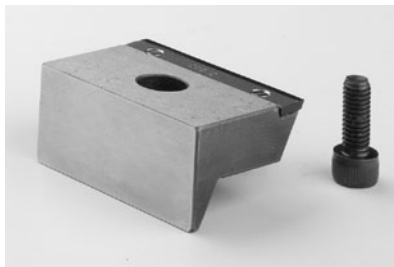
Clamping forces curves





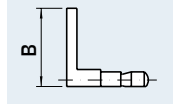
Grooved jaw

Cod.	for type
58 40 44 19	CIVI 2000/38 x ...
58 41 44 19	CIVI 2000/60 x ...
58 42 44 19	CIVI 2000/90 x ...



Smooth jaw with guard

Cod.	for type
58 40 04 09	CIVI 2000/38 x ...
58 41 04 09	CIVI 2000/60 x ...
58 42 04 09	CIVI 2000/90 x ...

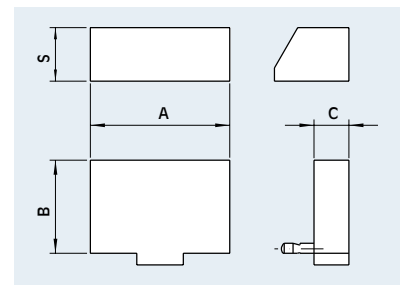


Pair of parallels "Clak System"

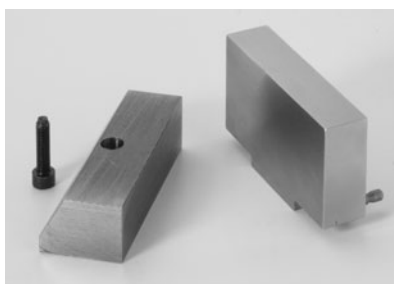
Cod.	for type	B mm	Cod.	for type	B mm	Cod.	for type	B mm
58 40 35 18	CIVI 2000/38 x ...	18	58 41 35 18	CIVI 2000/60 x ...	18	58 42 35 18	CIVI 2000/90 x ...	18
58 40 35 23	CIVI 2000/38 x ...	23	58 41 35 23	CIVI 2000/60 x ...	23	58 42 35 23	CIVI 2000/90 x ...	23
58 40 35 28	CIVI 2000/38 x ...	28	58 41 35 28	CIVI 2000/60 x ...	28	58 42 35 33	CIVI 2000/90 x ...	33
58 40 35 37	CIVI 2000/38 x ...	37	58 41 35 37	CIVI 2000/60 x ...	37	58 42 35 42	CIVI 2000/90 x ...	42



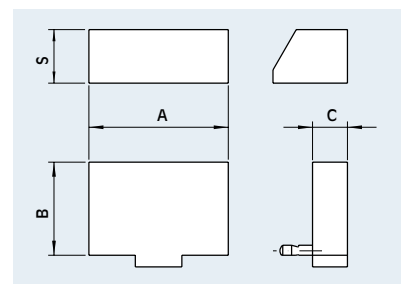
Pair of aluminium jaws "Clak System"



Cod.	for type	A mm	B mm	C mm	S mm	Weight kg
58 41 95 09	CIVI 2000/60 x ...	60	40	15	23	0,19
58 42 95 09	CIVI 2000/90 x ...	90	45	20	25	0,4



Pair of soft steel jaws "Clak System"

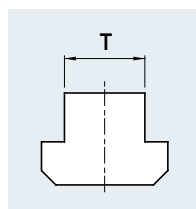


Cod.	for type	A mm	B mm	C mm	S mm	Weight kg
58 41 96 09	CIVI 2000/60 x ...	60	40	15	23	0,58
58 42 96 09	CIVI 2000/90 x ...	90	45	20	25	1,2



Workstop

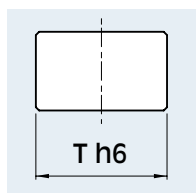
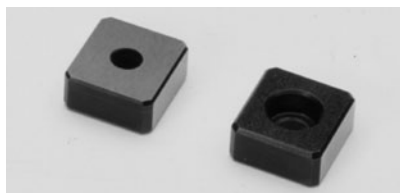
Cod.	for type	
58 31 50 10	CIVI 2000/38/60 x ...	for fixed support
58 32 50 10	CIVI 2000/90 x ...	for fixed support
58 31 50 20	CIVI 2000/38/60/90 x ...	for movable support



Pair of clamps

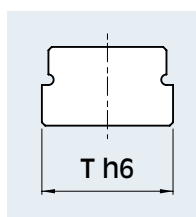
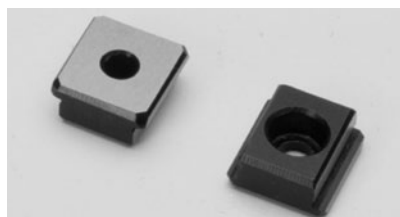
complete with screw and T-nut

Cod.						for type
mm 12	mm 14	mm 16	mm 18	mm 20	mm 22	
58 01 27 92	58 01 27 93	58 01 27 94	58 01 27 95	58 01 27 96	58 01 27 97	CIVI 2000 38/60 x ...
58 02 27 92	58 02 27 93	58 02 27 94	58 02 27 95	58 02 27 96	58 02 27 97	CIVI 2000 90 x ...



Pair of standard positioning keys

Cod.	for type	T h6 mm
58 01 15 92	CIVI 2000 38/60 x ...	12
58 01 15 92	CIVI 2000 90 x ...	12



Pair of special positioning keys

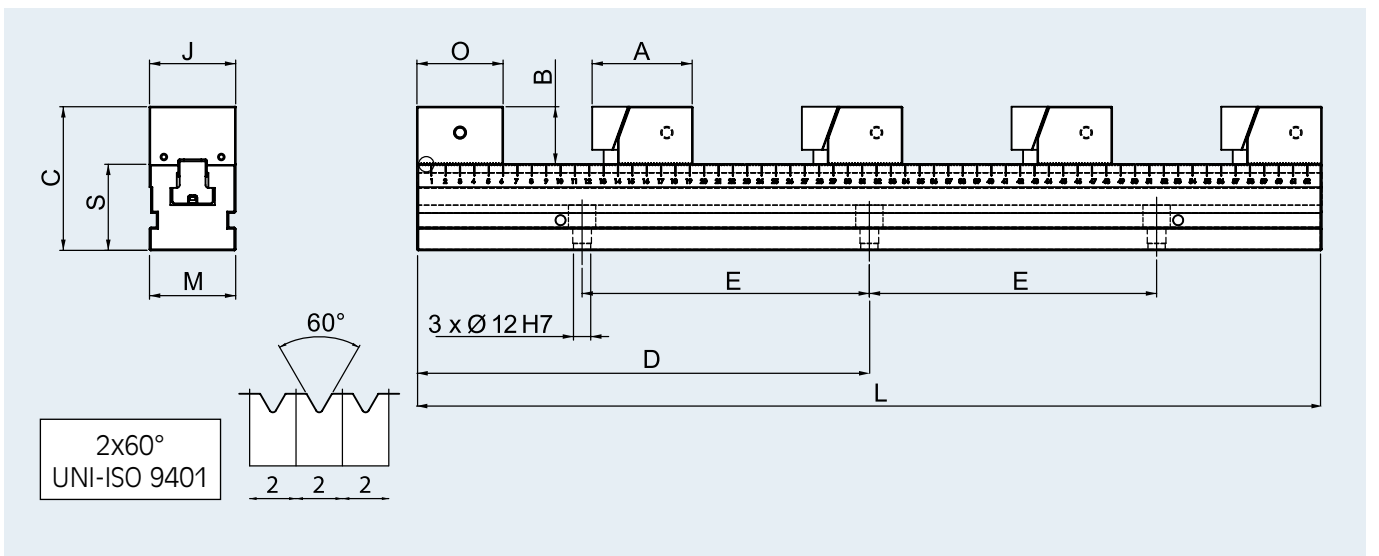
With special dimensions

Cod.						for type
mm 12 - h 6	mm 14 - h 6	mm 16 - h 6	mm 18 - h 6	mm 20 - h 6	mm 22 - h 6	
-	58 01 15 93	58 01 15 94	58 01 15 95	58 01 15 96	58 01 15 97	CIVI 2000 38/60 x ...
-	58 01 15 93	58 01 15 94	58 01 15 95	58 01 15 96	58 01 15 97	CIVI 2000 90 x ...

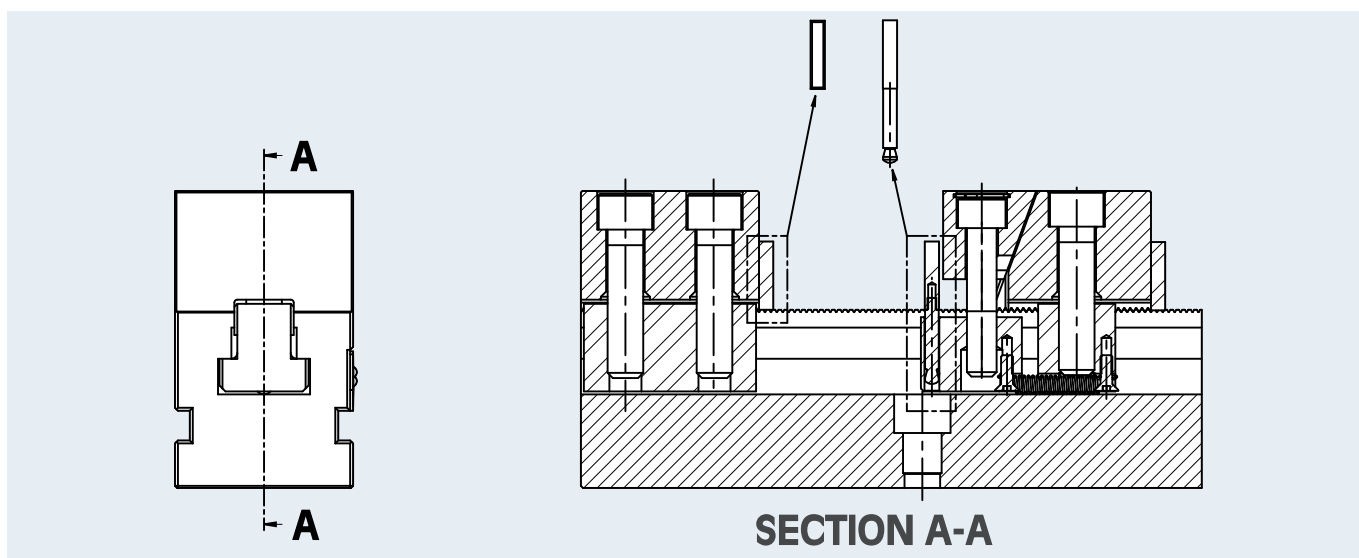
4 positions clamping equipment "TETRABLOK" joins CIVI 2000 with a good price/quality ratio



Tetrablok, 4 positions clamping equipment, complete with: 1 base (length optional), 1 fixed support, 4 sets of movable jaws, 4 workstops, 1 t-wrench.



Cod.	for type	A mm	B mm	C mm	D mm	E mm	J mm	L mm	M mm	O mm	S [±] mm	weight kg
77 58 81 01	TETRABLOK 60	70	40	100	200	100	60	400	60	60	60	9,5
77 58 81 02					250	150		500				11,5
77 58 81 03					315	200		630				13,5
77 58 82 01	TETRABLOK 90	80	45	115	200	100	90	400	90	70	70	16,0
77 58 82 02					250	150		500				19,5
77 58 82 03					315	200		630				23,5

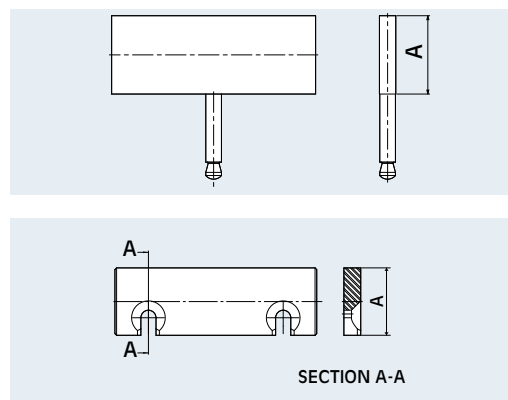


Set of n. 4 pair of parallels for TETRABLOK

Cod.	type	weight kg
58 81 92 04	TETRABLOK 60	0,4
58 82 92 04	TETRABLOK 90	0,7



Pair of parallels for TETRABLOK



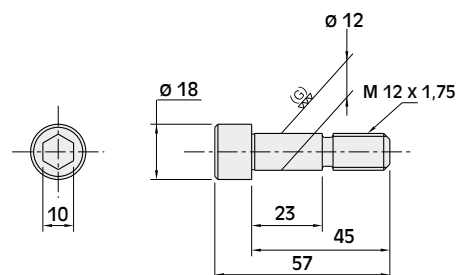
Cod.	for type	A mm
58 81 35 18	TETRABLOK 60	18
58 81 35 23		23
58 81 35 28		28
58 81 35 37		37

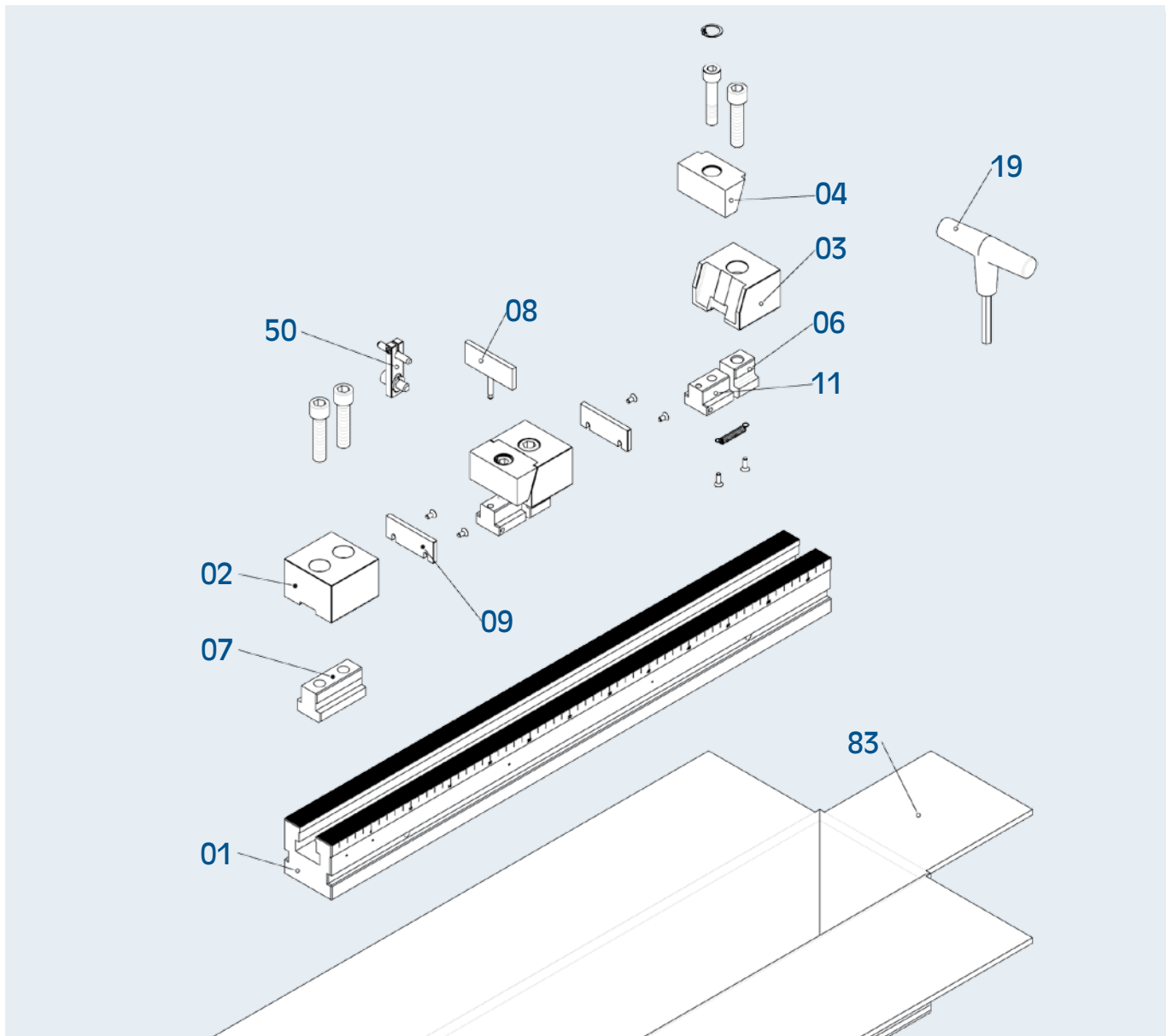
Cod.	for type	A mm
58 82 35 18	TETRABLOK 90	18
58 82 35 23		23
58 82 35 33		33
58 82 35 42		42



Locating screws

51 99 18 66

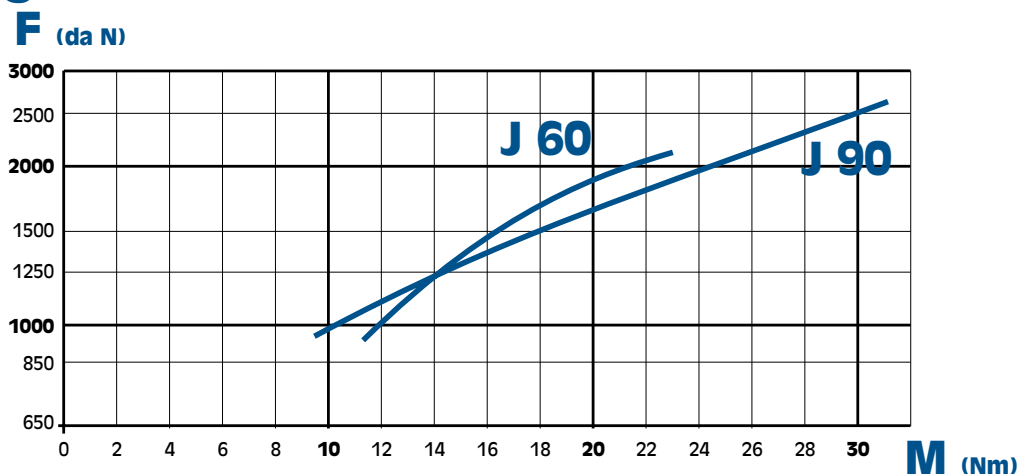




Descrizione

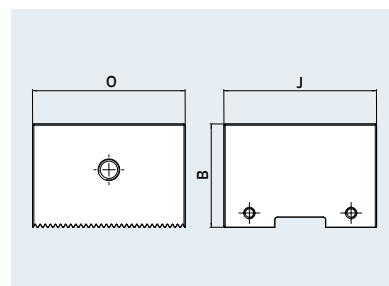
01Base	06Nuts	11Nuts
02 Fixed support	07Nuts	19T-wrench
03Movable support	08Parallel	50Work stop
04Jaw	09Parallel	83Cardboard box

Clamping forces curves





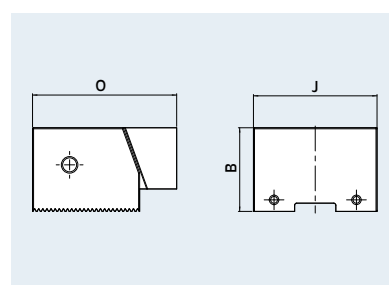
Complete fixed support



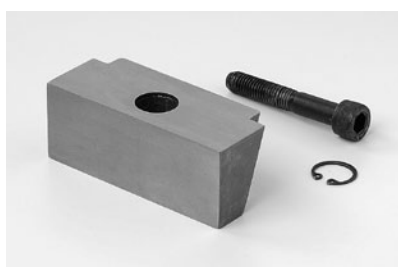
Cod.	for type	B mm	J mm	O mm	weight kg
58 81 72 20	TETRABLOK 60	40	60	70	1,3
58 82 72 20	TETRABLOK 90	45	90	80	2,8



Movable support with jaw



Cod.	for type	B mm	J mm	O mm	weight kg
77 58 81 23	TETRABLOK 60	40	60	70	1,4
77 58 82 23	TETRABLOK 90	45	90	80	3



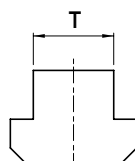
Smooth jaw

Cod.	for type
58 81 04 09	TETRABLOK 60
58 82 04 09	TETRABLOK 90



Work stop

Cod.	for type	for support
58 31 50 10	TETRABLOK 60	fixed
58 32 50 10	TETRABLOK 90	fixed
58 31 50 20	TETRABLOK 60-90	movable



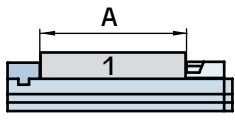
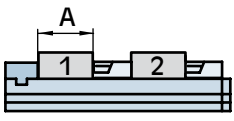
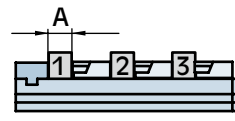
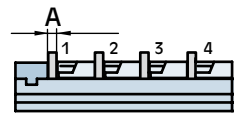
Pair of clamps

complete with screw and T-nut

Cod.						for type
mm 12	mm 14	mm 16	mm 18	mm 20	mm 22	
58 01 27 92	58 01 27 93	58 01 27 94	58 01 27 95	58 01 27 96	58 01 27 97	TETRABLOK 60
58 02 27 92	58 02 27 93	58 02 27 94	58 02 27 95	58 02 27 96	58 02 27 97	TETRABLOK 90

TETRABLOK clamping capacity and examples

Clamping capacity

				
	A max mm			
TETRABLOK 60x400	270	100	43	15
TETRABLOK 60x500	370	150	76	40
TETRABLOK 60x630	500	215	120	73
TETRABLOK 90x400	249	84	29	-
TETRABLOK 90x500	349	134	62	26
TETRABLOK 90x630	479	199	106	59

